

MKS TB6600

Overview

High performance, cost-effective. Automatic idle-current reduction. Supply voltage up to 45V DC Output current up to 4.5A. Can be used on ramps(need mks cd),mks gen and so on.

Features

- PWM chopper-type single-chip bipolar sinusoidal micro-step stepping motor driver.
- BiCD 0.13 (50 V) process, Lower Ron: 0.4 Ω (typ.).
- Output withstand voltage: VCC = 50 V.
- Output current: IO_{UT} = 5.0 A (absolute maximum ratings, peak, within 100ms);IO_{UT} = 4.5 A (operating range, maximal. value);More Stepper motors
- Thermal shut down (TSD) protection.
- Under voltage lock out (UVLO) protection.
- Over-current detection (ISD) protection.
- Double input port: Anti-reverse structure IDC haeder(8pin symmetrical input) & HT-396-4pin input (suit for DIY).
- Stepless adjustable reference voltage.
- Compatible the CNC Stepper Motor.
- Offer an solution to change your CNC to 3D Printer.
- Board size: 50.5*50mm ; Carry 50*50*23mm aluminum Heat sink which build-in fix hole and connection hole.
- Auto half current, energy conservation.
- Photoelectric-isolation used in the input port, compatible more drive Level.

Website: www.makerbase.com.cn Database: <https://github.com/makerbase-mks>

E-mail: 2228481602@qq.com ;529442067@qq.com; 4164049@qq.com;

Address: Room 2110, No2 Building , Runnong Business center, No. 2, Huangcun avenue,Tianhe district , Guangzhou City,PRC

- Programmable micro step - 1/1, 1/2A, 1/2B, 1/4, 1/8, 1/16.
- Affordable price.



MKS TB6600 board

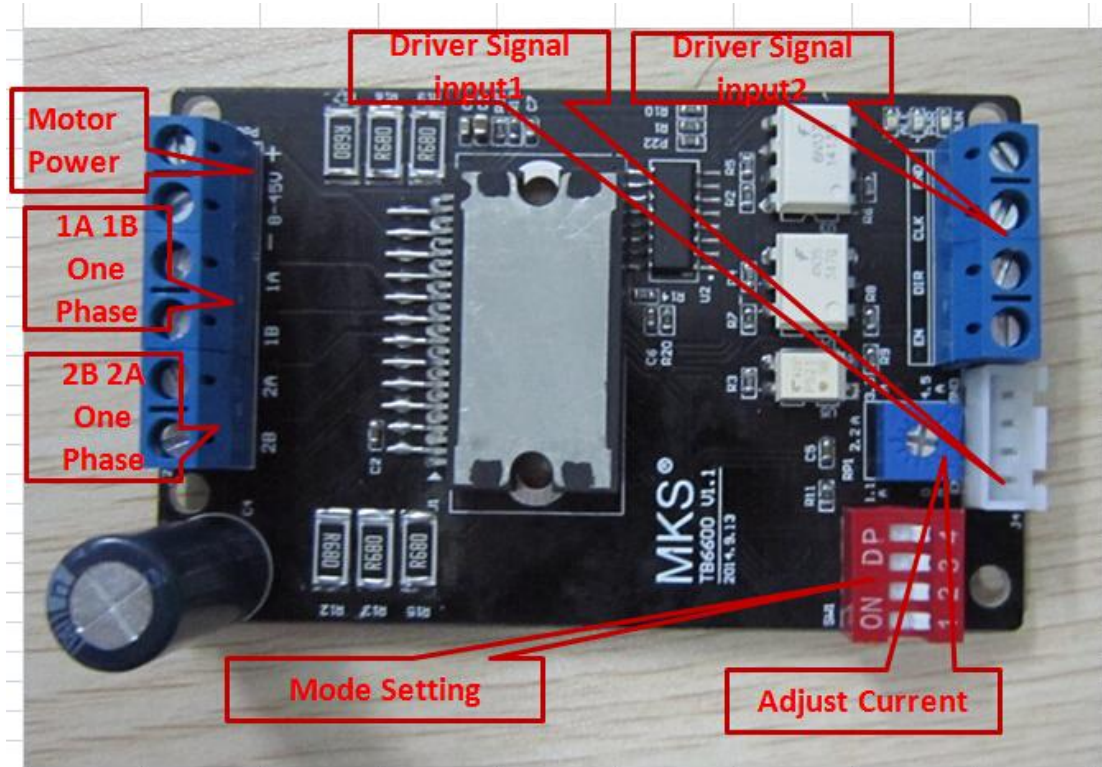
Website: www.makerbase.com.cn Database: <https://github.com/makerbase-mks>
E-mail: 2228481602@qq.com ; 529442067@qq.com; 4164049@qq.com;
Address: Room 2110, No2 Building , Runnong Business center, No. 2, Huangcun avenue, Tianhe district ,
Guangzhou City, PRC



MKS TB6600 Back

Website: www.makerbase.com.cn Database: <https://github.com/makerbase-mks>
 E-mail: 2228481602@qq.com ;529442067@qq.com; 4164049@qq.com;
 Address: Room 2110, No2 Building , Runnong Business center, No. 2, Huangcun avenue,Tianhe district ,
 Guangzhou City,PRC

Settings of Driver

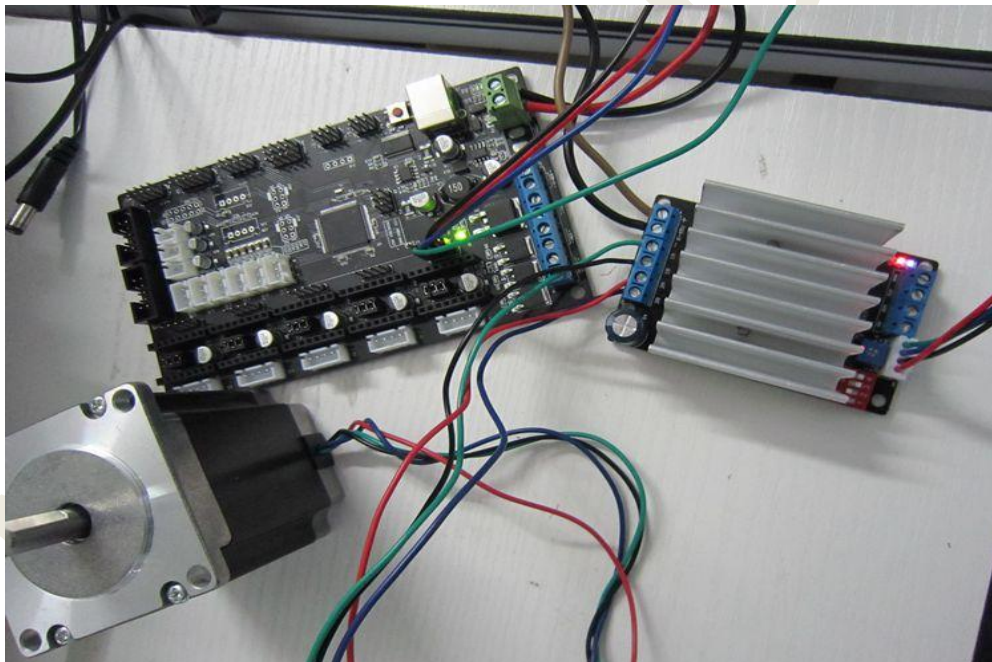


Interface	Description
8-45V	DC 8-45V power supply
2A 2B	One phase of stepping motor
1A 1B	Other phase of stepping motor
EN	stepping enable signal
DIR	step direction signal
CLK	step pulse signal
GND	step signal grand

Website: www.makerbase.com.cn Database: <https://github.com/makerbase-mks>
 E-mail: 2228481602@qq.com ;529442067@qq.com; 4164049@qq.com;
 Address: Room 2110, No2 Building , Runnong Business center, No. 2, Huangcun avenue,Tianhe district , Guangzhou City,PRC

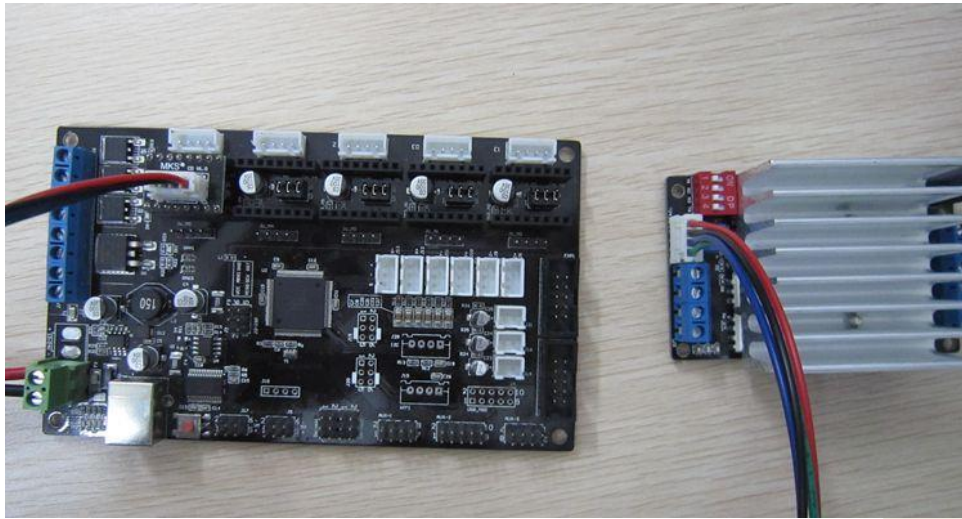
MKS TB6600 Mode					
	M1	M2	M3		TQ
1/1	OFF	OFF	ON		
1/2	OFF	ON	OFF	Auto	OFF
1/4	ON	OFF	OFF		
1/8	ON	OFF	ON		
1/16	ON	ON	OFF	100%	ON

Connect direct

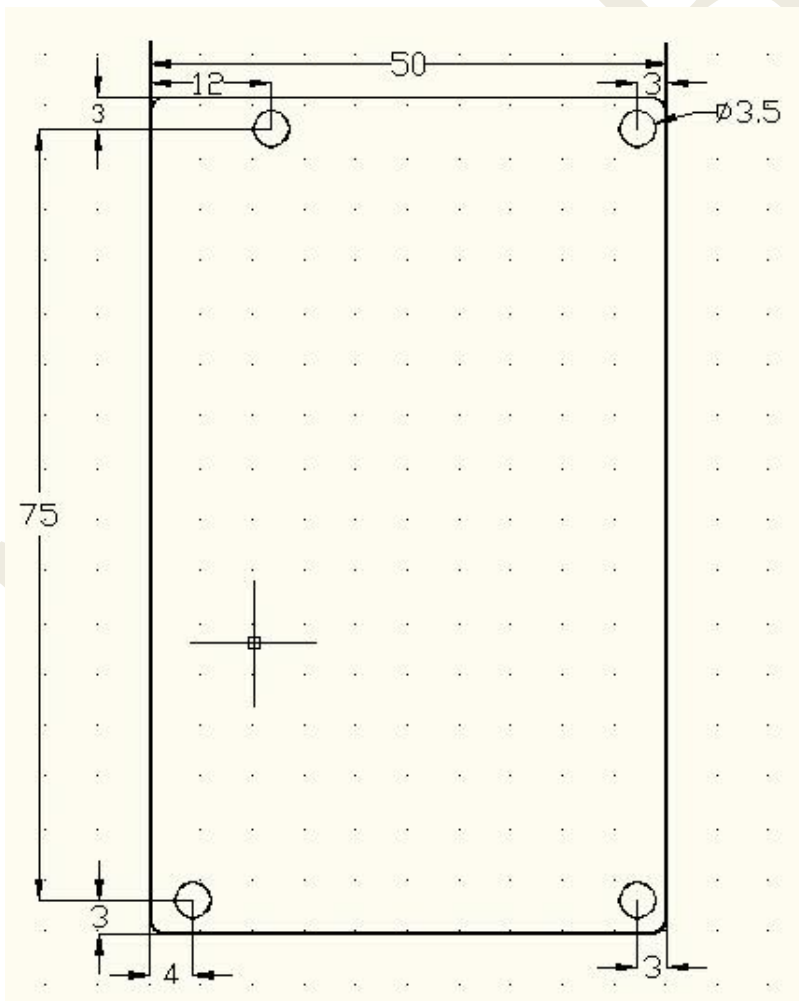


Website: www.makerbase.com.cn Database: <https://github.com/makerbase-mks>
 E-mail: 2228481602@qq.com ;529442067@qq.com; 4164049@qq.com;
 Address: Room 2110, No2 Building , Runnong Business center, No. 2, Huangcun avenue, Tianhe district , Guangzhou City, PRC

Connect with MKS CD



MKS TB6600 Size



Website: www.makerbase.com.cn Database: <https://github.com/makerbase-mks>
 E-mail: 2228481602@qq.com ; 529442067@qq.com; 4164049@qq.com;
 Address: Room 2110, No2 Building , Runnong Business center, No. 2, Huangcun avenue, Tianhe district , Guangzhou City, PRC